

LINETRAXX® VME420

Multi-functional monitoring relay for undervoltage, overvoltage and frequency monitoring in AC/DC systems with separate supply voltage



LINETRAXX® VME420

Multi-functional relay for overvoltage, undervoltage and frequency monitoring
in AC/DC systems with external supply voltage



LINETRAXX® VME420

Device features

- Monitoring AC/DC systems for under-voltage, overvoltage and frequency in the voltage range of 0...300 V
- Various monitoring functions selectable $< U, > U, < f, > f$
- Start-up delay, response delay and delay on release
- Adjustable switching hysteresis
- r.m.s. value measurement (AC+DC)
- Digital measured value display via multi-functional LC display
- Preset function (automatic setting of basic parameters)
- LEDs: Power On, Alarm 1, Alarm 2
- Measured value memory for operating value
- Continuous self monitoring
- Internal test/reset button
- Two separate alarm relays (one changeover contact each)
- N/C or N/O operation and fault memory behaviour selectable
- Password protection for device setting
- Sealable transparent cover
- Two-module enclosure (36 mm)
- Push-wire terminal (two terminals per connection)
- RoHS compliant

Approvals



Product description

The VME420 series voltage relays are designed to monitor the frequency, undervoltage, overvoltage and the voltage between two threshold values in AC and DC systems. The voltages are measured as r.m.s. values. The currently measured value is continuously shown on the LC display. The measured value required to trigger the alarm relay is stored. Due to adjustable response times, installation-specific characteristics, such as device-specific start-up procedures, short-time voltage fluctuations, etc. can be considered. The relays require an external supply voltage.

Typical applications

- Voltage and frequency monitoring of single-phase machines and electrical installations
- Earth fault monitoring in medium-voltage systems via voltage transformers
- Monitoring of battery systems
- Switching machinery and equipment on and off at a certain voltage level

Function

Once the supply voltage is applied, the start-up delay " t " begins. Measured voltage and frequency values changing during this time do not influence the switching state of the alarm relays.

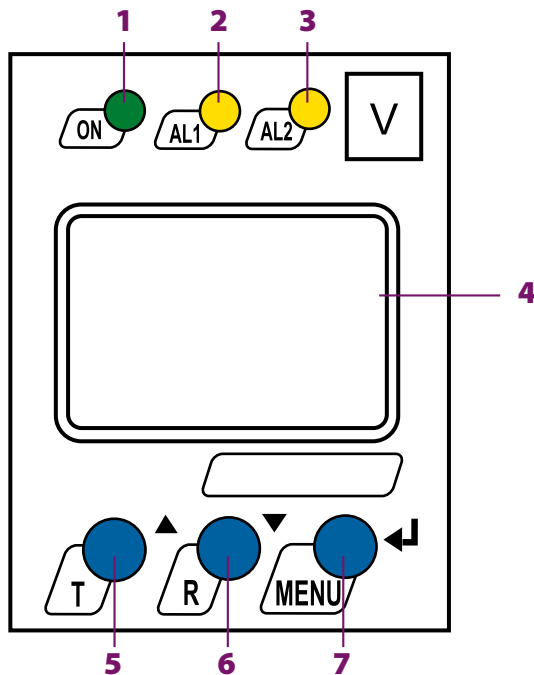
The devices feature two separately adjustable measuring channels (overvoltage/undervoltage). When the measuring quantity exceeds the response value ("Alarm 1") or falls below the response value ("Alarm 2"), the time of the response delays " $t_{on1/2}$ " begins. Once the response delay has elapsed, the alarm relays switch and the alarm LEDs light up. When the measuring value exceeds or falls below the release value (response value plus hysteresis) after the alarm relays have switched, the selected release time " t_{off} " begins. When " t_{off} " has elapsed, the alarm relays switch back to their initial position. When the fault memory is activated, the alarm relays remain in alarm position until the reset button "R" is pressed. When the fault memory is set to continuous mode, the alarm parameters remain stored, even on failure of the supply voltage.

Preset function

After connecting the device for the first time, the nominal system voltage will be determined (PrE run), and the response values for overvoltage and undervoltage as well as for under-frequency and overfrequency will automatically be set. When no voltage is determined within a nominal system voltage range (PrE run), the response values will be set to the minimum or maximum voltage. In this case, the message "AL not SET" appears on the display. As long as no button is pressed, a nominal system voltage is being searched cyclically (PrE run). If a button is pressed, the search will be interrupted and the message "AL not SET" disappears. In this case, the appropriate response values have to be set in the menu. When activating the frequency monitoring function, the preset frequency will automatically be stored.



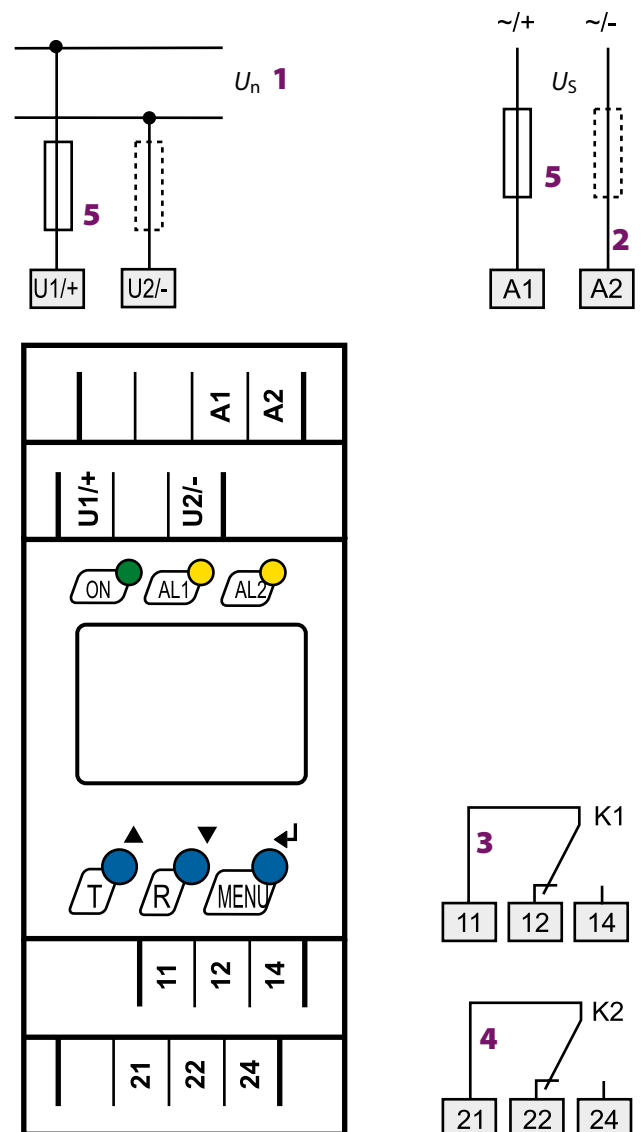
Operating elements



- 1 - Power On LED "ON" (green); lights when supply voltage is applied and flashes in the event of system fault alarm
- 2 - Alarm LED "AL1" (yellow), lights when the set response value $>U/<f>f$ is exceeded and flashes in the event of system fault alarm
- 3 - Alarm LED "AL2" (yellow), lights when the value falls below the set response value $<U/<f>f$ and flashes in the event of system fault alarm
- 4 - Multi-functional LC display
- 5 - Test button "T":
Arrow up button: To change the measured value display, move upwards in the menu or to change parameters.
To call up the self test: press the button >1.5 s
- 6 - Reset button "R":
Arrow down button: to change the measured value indication, move downwards in the menu or to change parameters
To delete stored alarms: press the button "T" >1.5 s
- 7 - "MENU" button:
Enter button: to confirm the measured value indication or to confirm changed parameters
To call up the menu system, press the button "T" >1.5 s
Press the ESC button > 1.5 s to abort an action or to return to the previous menu level

When the menu item LED is activated, the alarm LED "AL1" indicates that K1 is in the alarm state. When "AL2" lights up, K2 is in the alarm position.

Wiring diagram



- 1 - Connection to the system/load being monitored
- 2 - Supply voltage U_s (see ordering information)
- 3 - Alarm relay "K1": Configurable for $<U/>U/<f>f$ /ERROR
- 4 - Alarm relay "K2": Configurable for $<U/>U/<f>f$ /ERROR
- 5 - Line protection according to IEC 60364-4-43:
A fuse recommended recommended. If being supplied from an IT system, both lines have to be protected by a fuse.

Ordering information

Supply voltage ¹⁾ U_S		Type	Art. No.
AC	DC		
16...72 V, 15...460 Hz	9.6...94 V	VME420-D-1	B 7301 0001
70...300 V, 15...460 Hz	70...300 V	VME420-D-2	B 7301 0002

Device version with screw terminals on request.

¹⁾ Absolut values

Accessories

Type designation	Art. No.
Mounting clip for screw mounting (1 piece per device)	B 9806 0008

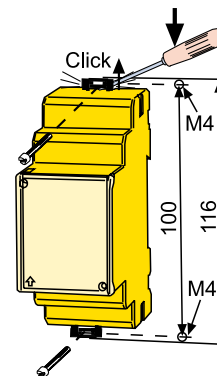
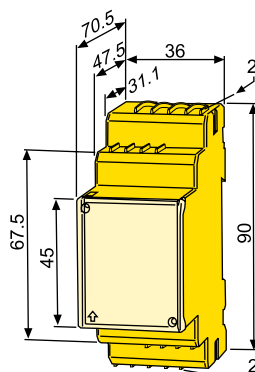
Dimension diagram XM420

Dimensions in mm

Open the front plate cover in direction of arrow!

Screw mounting

Note: The upper mounting clip must be ordered separately (see ordering information).



Technical data
Insulation coordination acc. to IEC 60664-1/IEC 60664-3

Rated insulation voltage	250 V
Rated impulse voltage/pollution degree	4 kV/3
Overvoltage category	III
Protective separation (reinforced insulation) between:	
	(A1, A2) - (U1/+, U2/-) - (11-12-14) - (21-22-24)

Supply voltage
VME420-D-1:

Supply voltage U_s	AC 16...72 V/DC 9.6...94 V
Frequency range U_s	15...460 Hz

VME420-D-2:

Supply voltage U_s	AC/DC 70...300 V
Frequency range U_s	15...460 Hz
Power consumption	≤ 4 VA

Measuring circuit

Measuring range (r.m.s. value)	AC/DC 0...300 V
Rated frequency f_n	DC, 15...460 Hz
Frequency display range	10...500 Hz

Response values

Undervoltage < U (Alarm 2)	AC/DC 6...300 V
Overvoltage > U (Alarm 1)	AC/DC 6...300 V
Resolution of setting U 6.0...49.9 V	0.1 V
Resolution of setting U 50...300 V	1 V

Preset function:

Undervoltage < $U = (0.85 U_n)^*$ for $U_n = 230/120/60/24$ V	196/102/51/20.4 V
Overvoltage > $U = (1.1 U_n)^*$ for $U_n = 230/120/60/24$ V	253/132/66/26.4 V
Relative uncertainty voltage at 50/60 Hz	± 1.5 %, ± 2 digits
Relative uncertainty, voltage in the range of 15...460 Hz	± 3 %, ± 2 digit
Hysteresis U	1...40 % (5 %)*
Underfrequency < Hz	10...500 Hz**
Overfrequency > Hz	10...500 Hz**
Resolution of setting f 10.0...99.9 Hz	0.1 Hz
Resolution of setting f 100...500 Hz	1 Hz

Preset function:

Underfrequency for $f_n = 400/60/50/16.7$ Hz	399/59/49/15.7 Hz
Overfrequency for $f_n = 400/60/50/16.7$ Hz	401/61/51/17.7 Hz
Hysteresis frequency Hys Hz	0.1...2 Hz (0.2 Hz)*
Relative uncertainty, frequency range 15...460 Hz	± 0.2 %, ± 1 digit

Time response

Start-up delay t	0...300 s (0 s)*
Response delay $t_{on1/2}$	0...300 s (0 s)*
Delay on release t_{off}	0...300 s (0.5 s)*
Resolution of setting $t, t_{on1/2}, t_{off}$ (0...10 s)	0.1 s
Resolution of setting $t, t_{on1/2}, t_{off}$ (10...99 s)	1 s
Resolution of setting $t, t_{on1/2}, t_{off}$ (100...300 s)	10 s
Operating time, voltage t_{ae}	DC/AC 16.7 Hz: ≤ 130 ms, AC 42...460 Hz: ≤ 70 ms
Operating time frequency t_{ae}	AC 15...460 Hz: ≤ 310 ms
Response time t_{an}	$t_{an} = t_{ae} + t_{on1/2}$
Recovery time t_b	≤ 300 ms

Displays, memory

Display	LC display, multifunctional, not illuminated
Display range measured value	AC/DC 0...300 V
Operating uncertainty at 50/60 Hz	± 1.5 %, ± 2 digits
Operating uncertainty, voltage in the range of 15...460 Hz	± 3 %, ± 2 digits
Operating uncertainty, frequency in the range of 15...460 Hz	± 0.2 %, ± 1 digit
History memory (HiS) for the first alarm value	data record measured values
Password	off/0...999 (off)*
Fault memory (M) alarm relay	on/off/con (on)*

Switching elements

Number	2 x 1 changeover contacts (K1, K2)				
Operating principle	N/C operation/N/O operation				
	K2: Err, < U , > U , < Hz, > Hz, S.AL (undervoltage < U : N/C operation n.c.)*				
	K1: Err, < U , > U , < Hz, > Hz, S.AL (overvoltage > U : N/O operation n.o.)*				
Electrical endurance, number of cycles	10000				
Contact data acc. to IEC 60947-5-1:					
Utilisation category	AC 13	AC 14	DC-12	DC-12	DC-12
Rated operational voltage	230 V	230 V	24 V	110 V	220 V
Rated operational current	5 A	3 A	1 A	0.2 A	0.1 A
Minimum contact rating	1 mA at AC/DC ≥ 10 V				

Environment/EMC

EMC	IEC 61326-1
Operating temperature	-25...+55 °C
Classification of climatic conditions acc. to IEC 60721:	
Stationary use (IEC 60721-3-3)	3K5 (no condensation, no formation of ice)
Transport (IEC 60721-3-2)	2K3
Long-term storage (IEC 60721-3-1)	1K4
Classification of mechanical conditions acc. to IEC 60721:	
Stationary use (IEC 60721-3-3)	3M4
Transport (IEC 60721-3-2)	2M2
Long-term storage (IEC 60721-3-1)	1M3

Connection

Connection type	push-wire terminals		
Connection properties:			
rigid	0.2...2.5 mm ² (AWG 24...14)		
flexible without ferrule	0.75...2.5 mm ² (AWG 19...14)		
flexible with ferrule	0.2...1.5 mm ² (AWG 24...16)		
Stripping length	10 mm		
Opening force	50 N		
Test opening, diameter	2.1 mm		

Other

Operating mode	continuous operation
Mounting	any position
Degree of protection, internal components (DIN EN 60529)	IP30
Degree of protection, terminals (DIN EN 60529)	IP20
Enclosure material	polycarbonate
Screw mounting	2 x M4 with mounting clip
DIN rail mounting acc. to	IEC 60715
Flammability class	UL94 V-0
Documentation number	D00026
Weight	≤ 150 g

(*) = factory setting

** = The technical data applies to the operating range of the rated frequency 15...460 Hz only



Bender GmbH & Co. KG

P.O. Box 1161 • 35301 Gruenberg • Germany
Londorfer Strasse 65 • 35305 Gruenberg • Germany
Tel.: +49 6401 807-0 • Fax: +49 6401 807-259
E-Mail: info@bender.de • www.bender.de



BENDER Group