

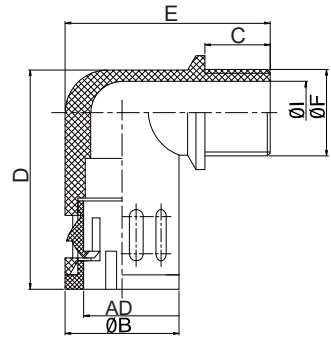
WQW1 直角软管接头 Elbow Connector

- 材料:尼龙
- 颜色:深灰色(RAL 7037),黑色(RAL 9005)
- 温度:-40°C~100°C,短时达到120°C
- 阻燃等级:V2(UL94)
- 防护等级:IP66
- 阻燃性能:自熄灭性好,不含卤素、磷、镉,通过RoHS测试
- 适配:除重载型WYK软管外的所有软管

- Material: Polyamide
- Color: grey (RAL 7037), black (RAL 9005)
- Temperature Range: Min-40°C, Max 100°C, Short-term 120°C
- Flame-retardant: V2(UL94)
- Protection degree: IP66
- Flame-retardant: Self-extinguishing, free of halogen, phosphor and cadmium, passed RoHS.
- Fit with: All tubing except WYK tubing



UL证书号: E317026



WQW1-M 直角软管接头 Elbow Connector

灰色编号 Article no. grey	黑色编号 Article no. black	螺纹规格 Thread dimension	适配软管规格 Fits to tubing size	φ I I D mm	φ B OD mm	C Thread length	D Total length	E Total height	φ F Conne- ction	包装单位 Packet units
WQW1-M10G/AD10.0	WQW1-M10B/AD10.0	M10×1.0	AD10.0	17	17	11.5	34	33.5	16	50
WQW1-M12G/AD10.0	WQW1-M12B/AD10.0	M12×1.5	AD10.0	8.5	17	11.5	34	33.5	16	50
WQW1-M12G/AD13.0	WQW1-M12B/AD13.0	M12×1.5	AD13.0	8	20	11.5	38.5	36	20	50
WQW1-M16G/AD13.0	WQW1-M16B/AD13.0	M16×1.5	AD13.0	11	20	11.5	38.5	36	20	50
WQW1-M16G/AD15.8	WQW1-M16B/AD15.8	M16×1.5	AD15.28	12	23	12	43.5	40.5	23	50
WQW1-M18G/AD15.8	WQW1-M18B/AD15.8	M18×1.5	AD15.8	14	23	12	43.5	40.5	23	50
WQW1-M20G/AD15.8	WQW1-M20B/AD15.8	M20×1.5	AD15.8	14	23	12	43.5	40.5	23	50
WQW1-M20G/AD18.5	WQW1-M20B/AD18.5	M20×1.5	AD18.5	15.5	26	13	47.5	45	27	25
WQW1-M20G/AD21.2	WQW1-M20B/AD21.2	M20×1.5	AD21.2	15.5	29.5	13	51.5	48	27	25
WQW1-M22G/AD21.2	WQW1-M22B/AD21.2	M22×1.5	AD21.2	18	29.5	13	51.5	48	27	25
WQW1-M24G/AD21.2	WQW1-M24B/AD21.2	M24×1.5	AD21.2	18	29.5	13	51.5	48	27	25
WQW1-M25G/AD21.2	WQW1-M25B/AD21.2	M25×1.5	AD21.2	18	29.5	13	51.5	48	27	25
WQW1-M25G/AD28.5	WQW1-M25B/AD28.5	M25×1.5	AD28.5	20.5	37	13	59	56	34	20
WQW1-M27G/AD28.5	WQW1-M27B/AD28.5	M27×2.0	AD28.5	21.5	37	13	59	56	34	20
WQW1-M30G/AD28.5	WQW1-M30B/AD28.5	M30×2.0	AD28.5	23.5	37	13	59	56	34	20
WQW1-M32G/AD28.5	WQW1-M32B/AD28.5	M32×1.5	AD28.5	23.5	37	13	59	56	34	20
WQW1-M32G/AD34.5	WQW1-M32B/AD34.5	M32×1.5	AD34.5	25	44	15	70.5	65.5	43	10
WQW1-M33G/AD34.5	WQW1-M33B/AD34.5	M33×2.0	AD34.5	25	44	15	70.5	65.5	43	10
WQW1-M36G/AD34.5	WQW1-M36B/AD34.5	M36×2.0	AD34.5	31	44	15	70.5	65.5	43	10
WQW1-M40G/AD34.5	WQW1-M40B/AD34.5	M40×1.5	AD34.5	31	44	15	70.5	65.5	43	5
WQW1-M40G/AD42.5	WQW1-M40B/AD42.5	M40×1.5	AD42.5	32	52	15	81	73.5	56	5
WQW1-M42G/AD42.5	WQW1-M42B/AD42.5	M42×2.0	AD42.5	36	52	15	81	73.5	56	5
WQW1-M48G/AD42.5	WQW1-M48B/AD42.5	M48×2.0	AD42.5	39	52	15	81	73.5	56	5
WQW1-M50G/AD42.5	WQW1-M50B/AD42.5	M50×1.5	AD42.5	39	52	15	81	73.5	56	5
WQW1-M50G/AD54.5	WQW1-M50B/AD54.5	M50×1.5	AD54.5	43	64	16	91	86.5	68	4
WQW1-M56G/AD54.5	WQW1-M56B/AD54.5	M56×2.0	AD54.5	48.5	64	16	91	86.5	68	4
WQW1-M60G/AD54.5	WQW1-M60B/AD54.5	M60×2.0	AD54.5	48.5	64	16	91	86.5	68	4
WQW1-M63G/AD54.5	WQW1-M63B/AD54.5	M63×1.5	AD54.5	48.5	64	16	91	86.5	68	4
WQW1-M64G/AD54.5	WQW1-M64B/AD54.5	M64×2.0	AD54.5	48.5	64	16	91	86.5	68	4